



Conveyor hooks

D hooks

The D hook is used for slat down conveyors.

For protection of the items/products, a dirt tray can be installed under the conveyor upon request.

C hooks

The C hook is used for slat up conveyors.

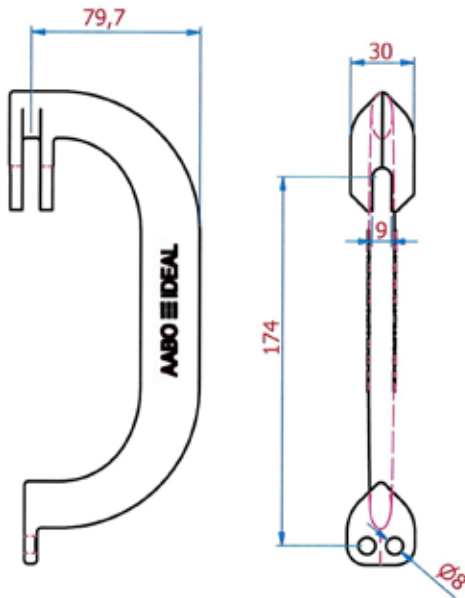
Both types of AABO-IDEAL hooks are manufactured as very strong and durable parts for the conveyor system.

Contact us for more information about the maximum weight load per hook.

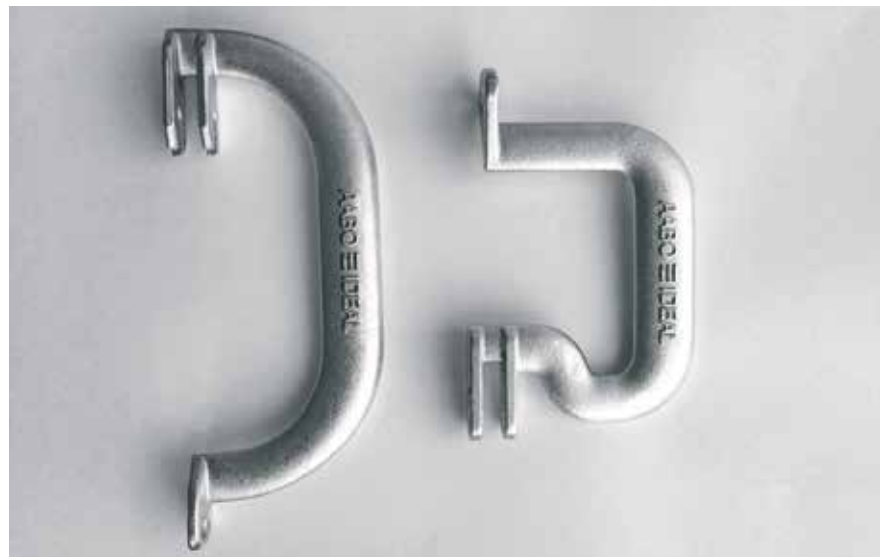
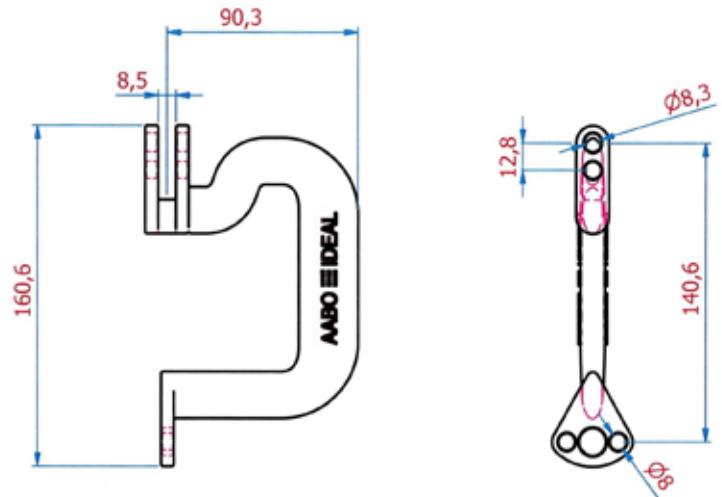


CONSTRUCTION:

C hook:



D hook:



HIGHLIGHTS

- Safe and steady conveyor hanging
- Easy to mount and dismount
- Efficient throughput
- Creates efficient operation

